

# RECIRCULATING 14/22MM MAINSAIL CARS



**ERGO DESIGN**  
Low profile aluminium traveller cars are CNC'd from solid marine grade aluminium and hard anodised.

See page 34 for track lengths

## 14MM RECIRCULATING CARS



## 22MM RECIRCULATING CARS



Part No.	Description	Weight (g)	Track Width (mm)	SWL (kg)	Break Load (kg)	Line Dia (mm)
HT4414	14MM Tie on car	65	14	200	400	2.5-4
HT4415	14MM Mainsheet car	165	14	200	400	3.5-6
HT4416	14MM Catamaran car	145	14	200	400	3.5-6
HT91642	High load 80mm car w / pivoting shackle and ears	192	22	350	600	-
HT91644	80mm car w / stand-up base and ears	110	22	350	600	-
HT91672	Control 3:1 vertical lead	110	22	150	300	8
HT91048	Add to HT91682 or HT91696 for 5:1 purchase	80	-	200	400	-
HT91645	120mm car w / stand-up ears	150	22	560	1100	-
HT91647 PORT	Track end control 4:1 with cleat - Port	460	22	220	450	10
HT91648 STBD	Track end control 4:1 with cleat - Stbd	460	22	220	450	10
HT91643	120mm car w / pivoting shackle and ears	259	22	560	1100	-
HT91695	Track end control 4:1 / 5:1	280	22	150	300	8
HT91506	Coupler for two 80mm cars (HT91644)	80	-	600	1000	-

# RECIRCULATING 32MM MAINSAIL CARS



## 32MM RECIRCULATING CARS



See page 34 for track lengths

Part No.	Description	Weight (g)	Track Width (mm)	SWL (kg)	Break Load (kg)	Line Dia (mm)
HT91653	190mm car w / two stand-up base accepts HT91682 & HT91696	1100	32	2300	5000	-
HT91651	110mm car with stand-up base accepts HT91682 & HT91696	628	32	1350	3000	-
HT95659	Track end control 4:1 / 5:1 w / cleat - port	680	32	600	1200	10
HT91697	Track end control 4:1 / 5:1	480	32	600	1200	10
HT91652	120mm car with stand-up base accepts HT91682 & HT91696	872	32	1900	4000	-
HT95658	Track end control 4:1 / 5:1 w / cleat - Stbd	680	32	600	1200	10
HT91561	Coupler for two 110mm cars	280	32	3000	6000	-
HT91048	Add to HT91682 or HT91696 for 5:1 purchase	80	-	200	400	-
HT91640	80mm car w / pivoting shackle	172	32	230	500	-
HT91665	95mm car w / pivoting shackle and eyes	455	32	800	1600	-
HT91668	190mm car w / pivoting shackle - accepts HT91682 & HT91696	1010	32	2300	5000	-
HT91666	110mm car w / pivoting shackle - accepts HT91682 & HT91696	600	32	1350	3000	-
HT91682	On the car side sheave 4:1 / 5:1	230	32	600	1200	10
HT91667	130mm car w / pivoting shackle - accepts HT91682 & HT91696	710	32	1900	4000	-
HT91696	On the car stacked sheave 4:1 - 5:1	218	32	600	1200	10

# SLIDING CARS



**PIN STOP**  
Large pinstop minimises play, maximising cleating stability.

**FULL MOULDED CAR**  
Advanced single piece moulded car, integral rails eliminates excessive play.

**OPTIMUM FOOTPRINT**  
Extended footprint gives minimal clearance creating a rigid platform for the width of track



## 25MM SLIDING TRACK & CARS

NEW Composite Car



HT3274

NEW Composite Car



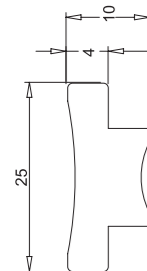
HT4274RS

See page 33 for track lengths



HT91402      HT91404      HT91409      HT91401      HT91407      HT91403      HT91408

Part No.	Description	Weight (g)	Track Width (mm)	SWL (kg)	Break Load (kg)	Line Dia (mm)	Fixing Size (mm)
HT3274	Composite Swvel car pin stop	78	25	100	200	4-6	-
HT4274RS	Composite car with fairlead, track and cleat (Pair)	340	25	200	400	5-10	M5
HT91402	Stop button 25mm track	30	25	-	-	-	-
HT91404	Slider w / spinnaker ring and stop 25mm track	192	25	650	1300	-	75
HT91409	Double roller beared genoa lead 25mm track	350	25	650	1300	-	30
HT91401	Slider w / eye 25mm track	103	25	650	1300	-	-
HT91407	Slider w / spinnaker ring and ears 25mm track	197	25	650	1300	-	75
HT91403	Slider w / eye and stop 25mm	123	25	650	1300	-	-
HT91408	Slider double genoa lead 25mm	320	25	650	1300	2x16	30

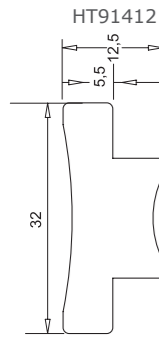


## 32MM SLIDING TRACK & CARS



HT91412      HT91417      HT91413      HT91418      HT91414      HT91419

Part No.	Description	Weight (g)	Track Width (mm)	SWL (kg)	Break Load (kg)	Line Dia (mm)	Fixing Size (mm)
HT91412	Stop button 32mm track	48	32	-	-	-	-
HT91417	Slider w / spinnaker ring and ears 32mm track	343	32	950	1800	2x17	85
HT91413	Slider w / eye and stop 32mm	200	32	950	1800	-	-
HT91418	Genoa lead w / alloy sheave 32mm	597	32	950	1800	2x20	50
HT91414	Slider w / spinnaker ring and stop 32mm track	217	32	950	1800	-	85
HT91419	Double genoa lead rollerbeared sheave 32mm track	500	32	950	1800	2x21	50
HT91485	Large tri-roller genoa car 32mm track	900	32	2200	4000	10-20	-



# RECIRCULATING GENOA CARS



**TRI-ROLLER CAR**  
Aluminium cast body with moulded sliders that fits this sliding car to recirculating track. Also suitable to retro fit on other manufacturers tracks.

## RECIRCULATING & TRI ROLLER GENOA CARS

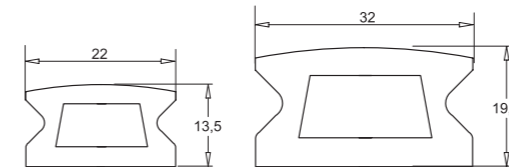


HT91443      HT91662      HT91660      HT91661      HT91480      HT91485

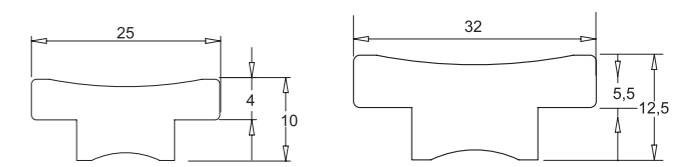
Part No.	Description	Weight (g)	Track Width (mm)	SWL (kg)	Break Load (kg)	Line Dia (mm)	Fixing Size (mm)
HT91443	Ball Raced genoa car	310	22	600	1200	2 x 16	30
HT91662	Ball Raced with 60mm sheave	2000	32	2300	4600	2 x 20	55
HT91660	Ball Raced with 75mm sheave	850	32	1000	2000	2 x 16	35
HT91661	Ball Raced with stopping nut	1200	32	1900	3800	2 x 16	40
HT91480	Small tri-roller genoa car	450	22	1600	3100	8-14	-
HT91485	Large tri-roller genoa car	900	32	2200	4000	10-20	-

# TRACK SECTIONS

## RECIRCULATING TRACK



## SLIDING TRACK



	Length mm of Track	750	900	1000	1500	2000	2500	3000
	<b>End Stop</b>	Part no.	Part no.	Part no.	Part no.	Part no.	Part no.	Part no.
25mm Sliding	HT91406	HT91704	-	HT91705	HT91706	HT91707	HT91708	HT91709
32mm Sliding	HT91416	HT91710	HT91711	HT91712	HT91713	HT91714	HT91715	HT91731
14mm Recirculating	HT.916	-	-	HT.816-1	-	-	HT816-2.5	-
22mm Recirculating	HT91431	HT91716	-	HT91717	HT91718	HT91719	HT91720	HT91721
32mm Recirculating	HT91451	HT91722	HT91723	HT91724	HT91725	HT91726	HT91727	HT91733

# TRACK ENDS

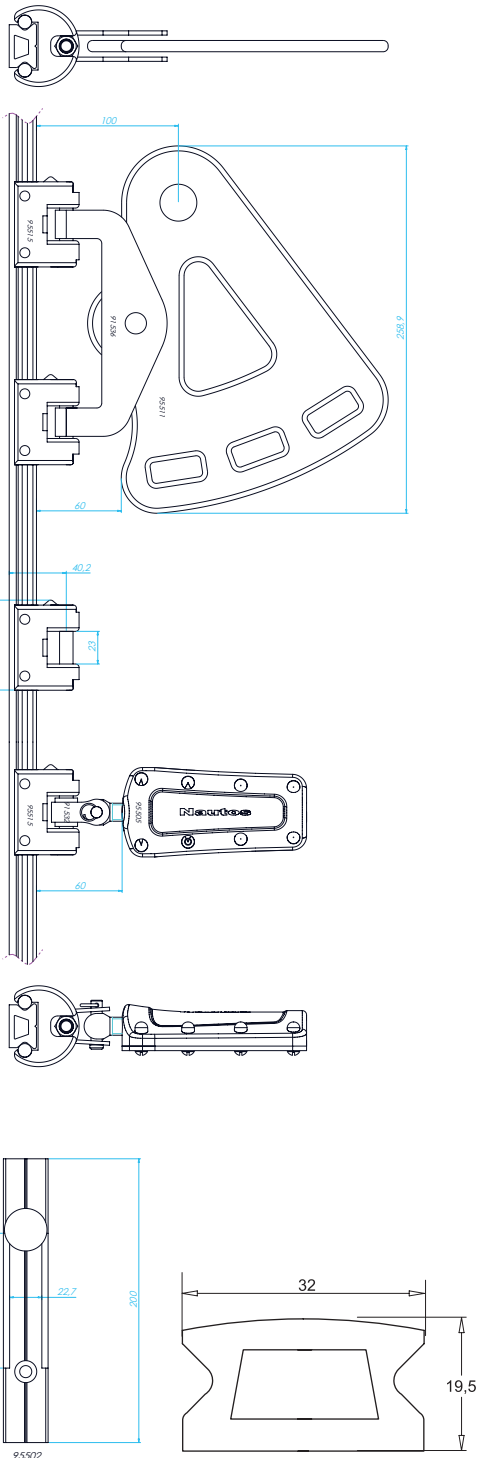


HT91405      HT91415      HT91406      HT91416      HT.916      HT91431      HT91451

Part No.	Description
HT91405	Nylon insert 6.5 to 5mm
HT91415	Nylon insert 8 to 6.5 mm
HT91406	End stop - 25mm sliding track
HT91416	End stop - 32mm sliding track
HT.916	End stop - 14mm recirculating
HT91431	End stop - 22mm recirculating track
HT91451	End stop - 32mm recirculating track

# BATTEN CAR SYSTEM - BIG

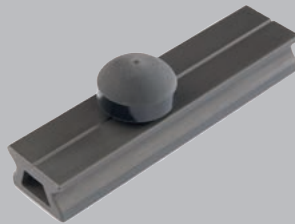
BIG BATTEN CAR SYSTEMS



## SINGLE HANDED OPERATION

The recirculating cars allow easy single handed loading of the sail luff tabs. The spring loaded retainer is depressed allowing the release of the pin (without letting it fall out).

## Track Gate



Sliding cars use the same recirculating track as ball bearing cars for the big and small versions. Sliding cars are easily removed from the track using a track gate.

Part No.	Description
HT95536	Small Track Gate for Ball Bearing Cars
HT95501	Small Track Gate for Sliding Cars
HT95538	Big Track Gate for Ball Bearing Cars
HT95502	Big Track Gate for Sliding Cars

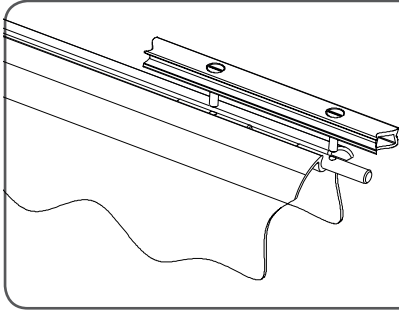


Sliding Car

Track lengths & end stops - Page 33

Part No.	Description	Composition	SWL (kg)	Break Load (kg)	Weight (g)	Length (mm)	Width (mm)
HT91532	Big 10 mm Stud		500	1000	100	90	30
HT91541	Big Ball Beared Car		400	700	298	92	87
HT91558	Big High Load ball beared Car		600	1200	298	92	87
HT95505	Big Batten Receptacle		500	1000	182	130	63
HT95511	Big Headboards		1400	2400	600	260	212
HT95512	Big Multihull Headboards		1400	2400	728	260	266
HT91561	Big two Cars Coupler		1000	2000	356	158	22
HT95525	Big High Load Car with Stud 10 mm	91512 + 91502	500	1000	155	65	57
HT95530	Big High Load Car with Coupler	01- 91536 + 02 - 91558	1000	2000	950	240	87
HT95532	Big Sliding Car with Stud 10 mm	95515 + 91532	600	1200	320	60	57
HT95534	Big Sliding Car with Coupler	01 - 91536 + 02 - 95515	1000	2000	798	210	57
HT95527	Big High Load Car with Stud 10 mm	91558 + 91532	600	1200	398	92	87

# BATTEN CAR TRACK SLUGS



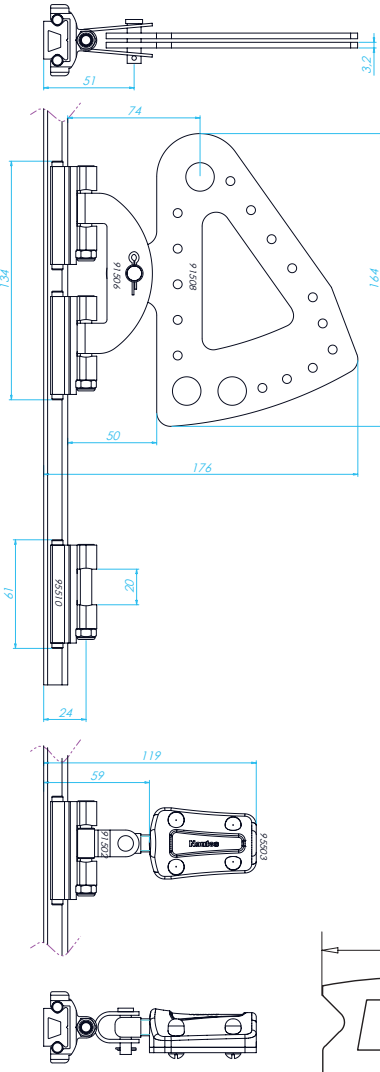
## TRACK SLUG

Track is able to be attached to existing mast luff groove using a range of track slugs. Made from aluminium and tapped for easy retro fit attachment.

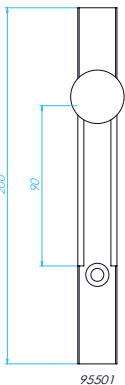
Part No.	Slug Size
HT91550	Ø 8mm X Thread 3/16"
HT91551	Ø 10mm X Thread 1/4"
HT91552	Ø 10mm X Thread M6
HT91553	Ø 11mm X Thread 1/4"
HT91554	Ø 11mm X Thread M6
HT91555	Ø 11mm X Thread M5

# BATTEN CAR SYSTEM - SMALL

## BIG BATTEN CAR SYSTEMS



Track lengths & end stops - Page 33



Part No.	Description	Composition	SWL (kg)	Break Load (kg)	Weight (g)	Length (mm)	Width (mm)
HT91511	Intermediate Cars (Use Delrin ball bearings)	-	240	400	48	67	30
HT91512	Small High Load ball bearing Car	-	360	650	70	90	44
HT95510	Small Sliding Car	-	600	1200	100	165	141
HT95503	Small Batten Protector Pocket	-	120	240	120	65	57
HT91502	Small and Medium 10 mm Stud	-	180	360	120	65	57
HT91506	Small two Car Coupler	-	180	360	58	60	40
HT91508	Small Headboards (2 units)	-	120	240	50	55	40
HT95525	Small High Load Car with Stud 10mm	91512 + 91502	180	360	155	65	87
HT95528	Small High Load Car with Coupler	01- 91506 + 02 - 91512	360	600	310	150	57
HT95531	Small Sliding Car with Stud 10 mm	95510 + 91502	120	240	98	55	40
HT95533	Small Sliding Car with Coupler	01- 91506 + 02- 95510	240	450	170	120	40